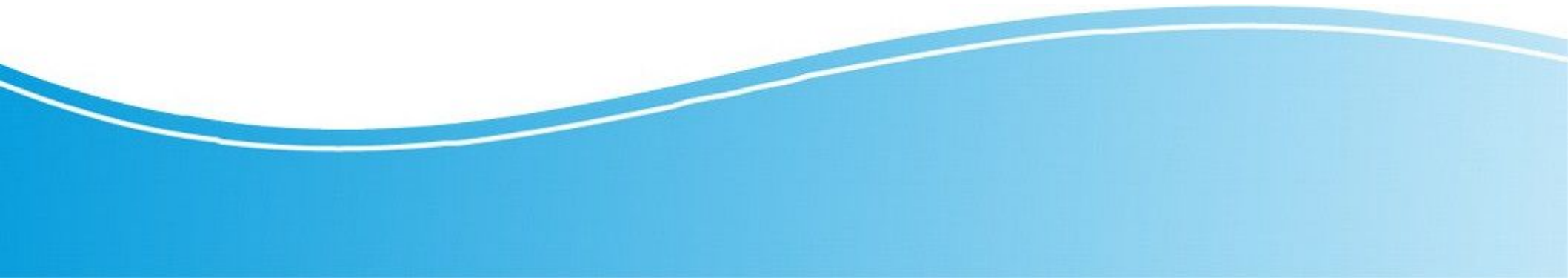


VE3RBM IRLP Node and “How To IRLP”



VE3RBM IRLP Node

- **WAS (2019):**
Big old noisy vintage pentium PC, with parallel port, quite dusty, probably a fire hazard, hard drive required “physical encouragement” to spin up, multiple errors during extremely slow boot, seemed VERY near end of life, “1 foot in the grave”...
- **NOW:**
Raspberry Pi, with GPIO, today’s defacto standard IRLP node, except this is a Pi Zero W, half credit-card sized, silent, takes a fraction of a minute to boot

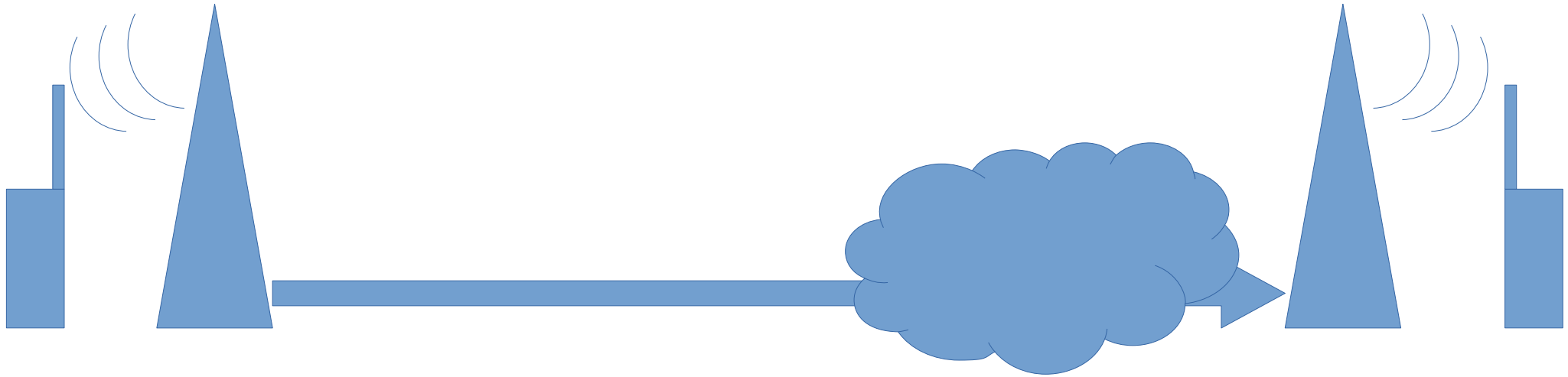
VE3RBM IRLP Node



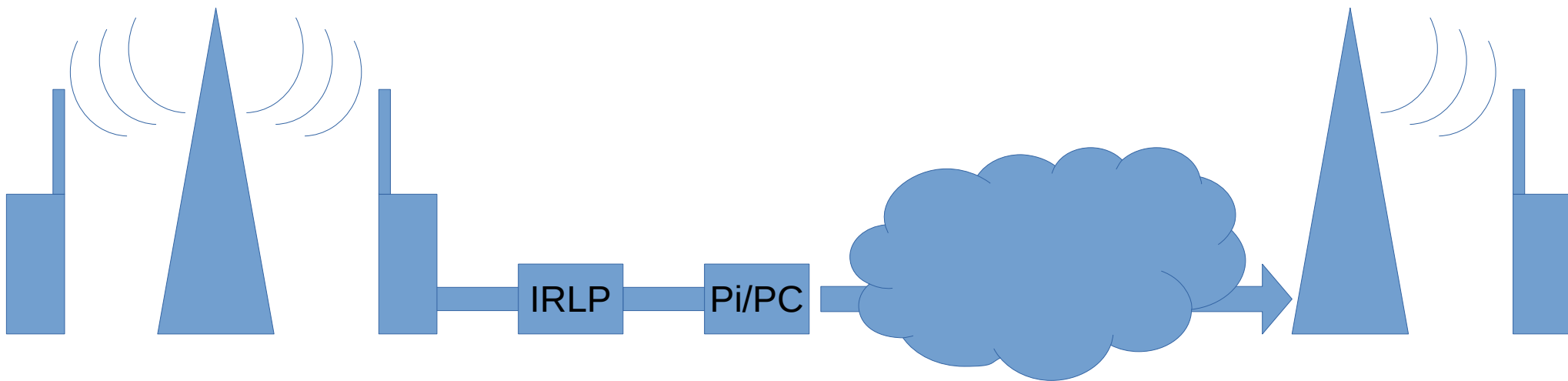
IRLP



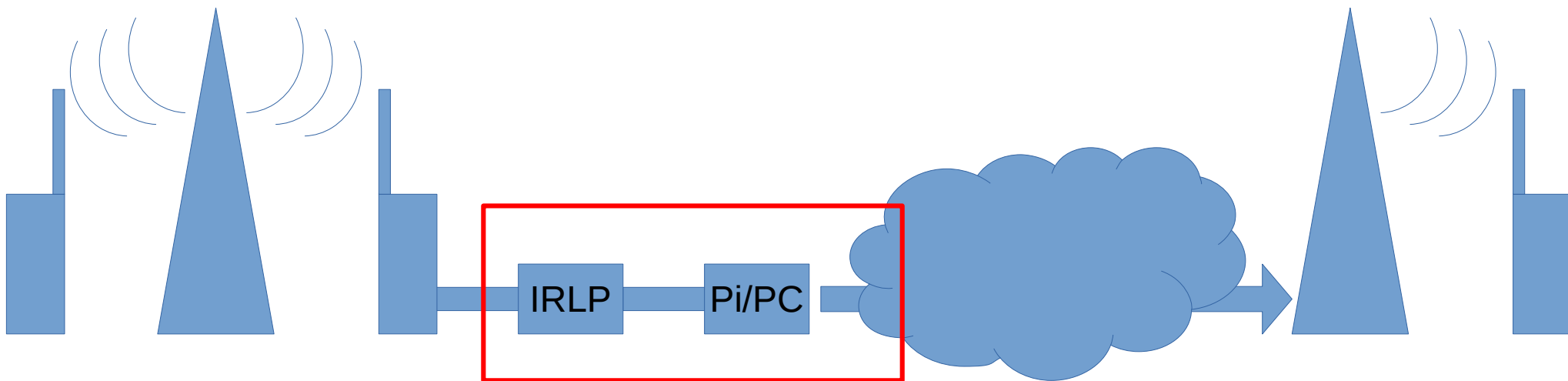
IRLP



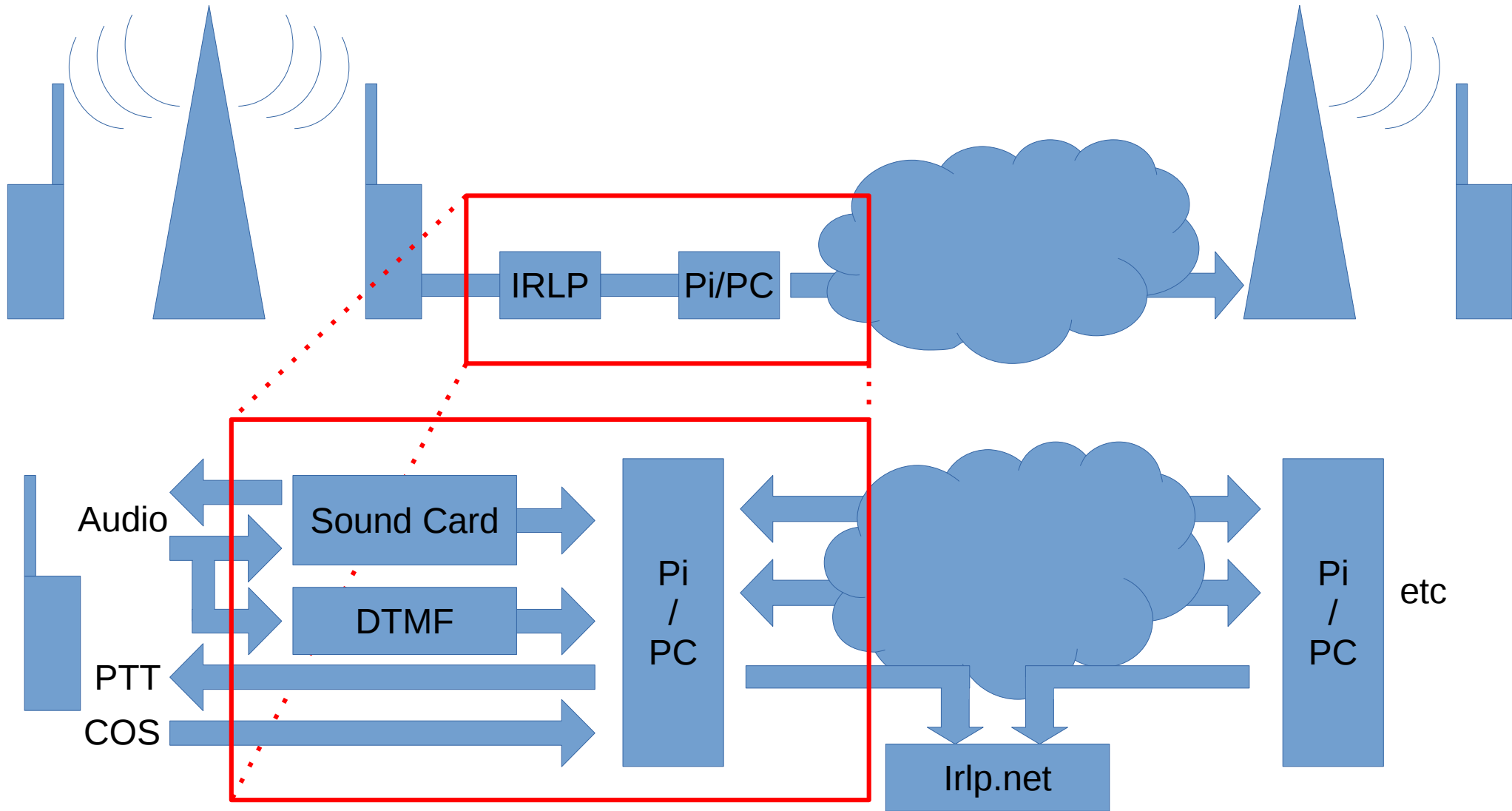
IRLP



IRLP



IRLP



How To IRLP

VE3RBM is on:

444.875 MHz, w/ 5MHz offset (TX on 449.875)

131.8 CTCSS / "PL tone"

Check local repeater is not in use

PTT, Identify yourself, say you're using IRLP, Steadily

DTMF dial the node you want

Hear the recording, hear remote repeater audio

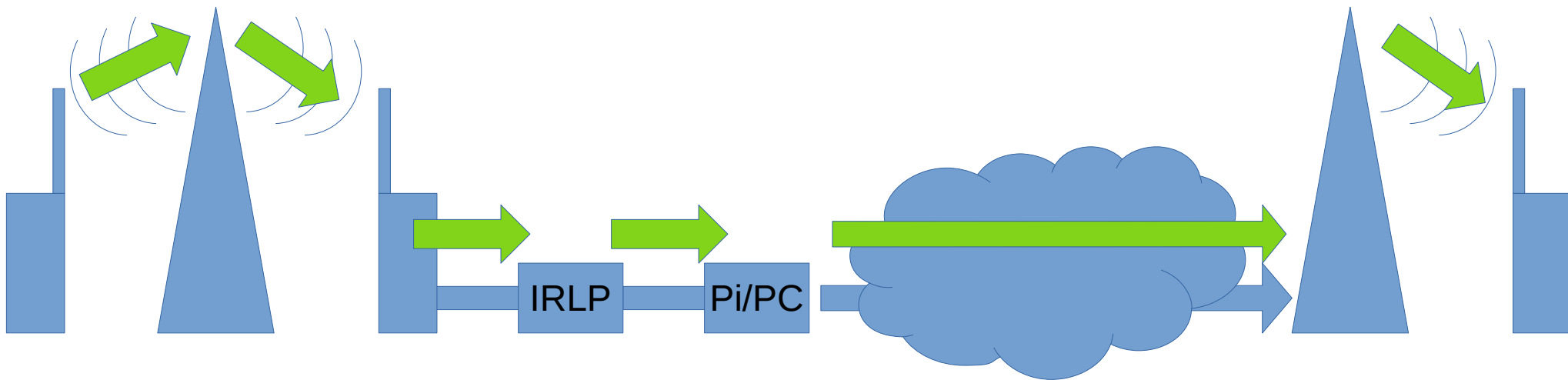
Wait to make sure it is clear

PTT **[AND WAIT AND]** speak

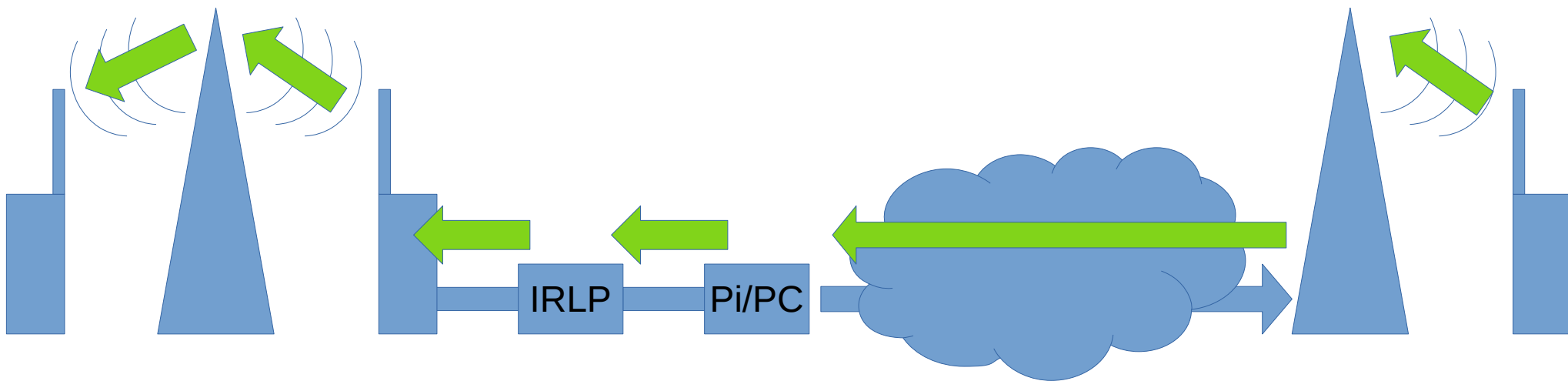
Leave long gaps between overs!

Steady DTMF 73 to hang up

Why The Wait?



Why The Wait?



IRLP Nodes

2410 VE3RBM IRLP
#152298 VE3RBM Echolink

9990 IRLP echo reflector
#9999 echolink echo test

Other nodes:

0016 Plays Amateur Radio Newsline
7448 N5OAK, Oak Hill, Austin TX

73 hang up

IRLP Reflectors

Reflectors:

9000 .. Vancouver

9030 .. Ontario Reflector

(9039 often has VA3NMK Newmarket on it)

9050 .. East Coast Reflector

9100 .. WIN System Reflector

9500 .. Australia East Coast (9503 or 06 busier?)

status.irlp.net

echolink.org/logins.jsp